

INSTALLATION MANUAL

System: KS17

Please read all instructions carefully before installation.

Check List Before Installation:

- ✓ Test water for purity, unusual PH and/or acidic levels. Check with your local health department for test procedures.
- ✓ Test well draw down. KS series systems **CAN NOT** run dry. This will cause damage.
- ✓ Measure the diameter of the well casing to insure you have the proper size well seal. KS17 System requires a minimum 5" well casing inside diameter (ID).

Tools Needed:

- Posthole Digger
- Adjustable Pliers
- Screwdrivers: Flat and Phillips
- Electrical Terminal Crimpers
- Knife
- Level
- Small awl or Drill bit
- Ratchet and sockets 3/8, 7/16, 1/2, 9/16
- Wrenches: 5/16, 7/16, 9/16
- Pipe Cutters

Additional Items:

- 1-2 Bags of concrete approximately 80 lbs.
- 1 Gallon of Water
- 2-7/8IN OD SCH40 x 10FT LG Pipe
- Electrical Tape
- Well Seal to fit your well casing
- Down hole pipe properly sized for flow rate
- PVC Primer and Glue (when using PVC pipe)
- Fittings and Adapters for down hole pipe

Specs:

Maximum Depth:	100 Feet or 43 PSI
Minimum Flow Rate at Max. Depth:	2.2 GPM
Maximum Flow Rate:	2.6 GPM

System Products Included:

QTY	Part Number	Item Description
1	KC03	34V Solar Panel with Mounting
1	535474-2	R4 Brushless Solar Water Pump , 100FT Wire
1	535812	Nylon Pre-Filter Kit
1	535683	On/Off Power Switch
1	135152/535827-1	Wind Brace/Clamp
0	5351275	ALC 1275 (Optional add on)
1	KS17M	Manuals- also available online at solarpumps.com/resources/tech-docs

Important Steps Before Installing & Troubleshooting on *page 4*.

Installing Your Solar Array-

1. Dig a hole using posthole diggers or shovel approximately 3 feet deep and 8-12 inches minimum in diameter near the well for 2-7/8IN OD x 10FT long. If there is an existing windmill, dig the hole approximately 4FT south of it. This will insure that no shadows from the windmill will fall across the face of the module.

Tip: The South, West, and East (North of Equator references) of the well to make sure there are no shadows from trees, etc. to cause a power loss. The solar array can be placed away from the well if required. Use larger gauge wire for longer distances.

2. Set the pole using quick setting concrete mixed with water to fill in the hole around the pole. Make sure the pole is plumb using a level. View illustration below.



FIGURE 2.A

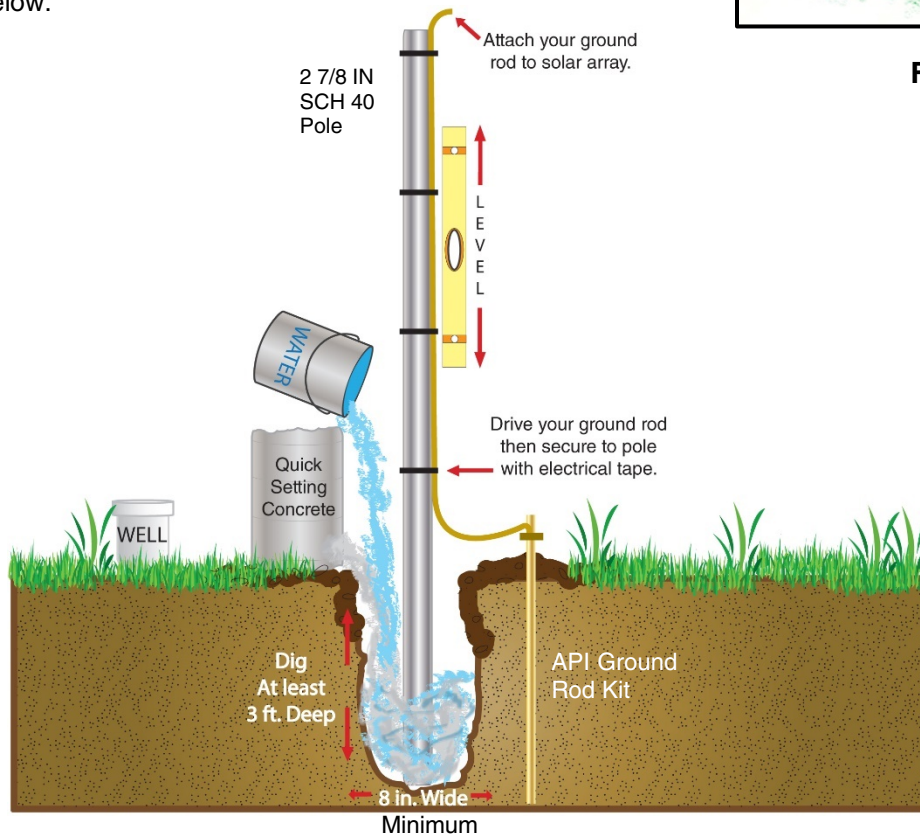


FIGURE 2.B

3. While your concrete and pole are drying, drive your *Ground Rod near the pole* (but not in the concrete) and prepare your pump to be installed.
4. Once, your pole is set and the **concrete is dried**; place your solar array with mounts on top of the pole. If your solar array did not come pre-assembled with mounts please view **FIGURE 3.A** for mount assembly first.
5. Adjust your solar array to face full midday sun and tighten set bolts & pivot bolt on tube mount with 9/16" wrench.
Note: When tightening the pivot bolt, do not spin the nut. Tighten the bolt head side and not the nut.

KS17 MOUNT ASSEMBLY

Build of Materials for Pole Mounts-FIGURE 3.A

Legend	QTY	Part Number	Item Description
1	3	KC03	34V API Solar Panel <i>(Check back of panel for specs)</i>
2	2	135167	Long Main
3	2	135168	Main Angle/3P Sub-Main
4	2	135166	3 Panel Main Angle
5	1	13569	3IN ID x 5IN Pipe Mount
6	13	915518	HHCS 0.25 – 20 x 0.75IN - GR5
7	8	915515	HHCS 0.313 – 18 x 0.75IN
8	14	915519	Hex Nut Flange SR 0.25 – 20IN ZINC
9	8	920042	Hex Nut Flange-- SR 0.313 – 18IN
10	2	915521	Lock Washer ET 0.375IN
11	1	915522-2	HHCS 0.375 – 16 x 4.5IN
12	2	535827-1	Hex Nut Flange SR 0.375 – 16IN
13	2	915516	HHCS 0.375 – 16 x 0.5IN
14	1	535827-1	3IN Clamp UBolt
15	1	535827-1	3IN Pipe Clamp Bracket
16	1	135150	Wind Brace

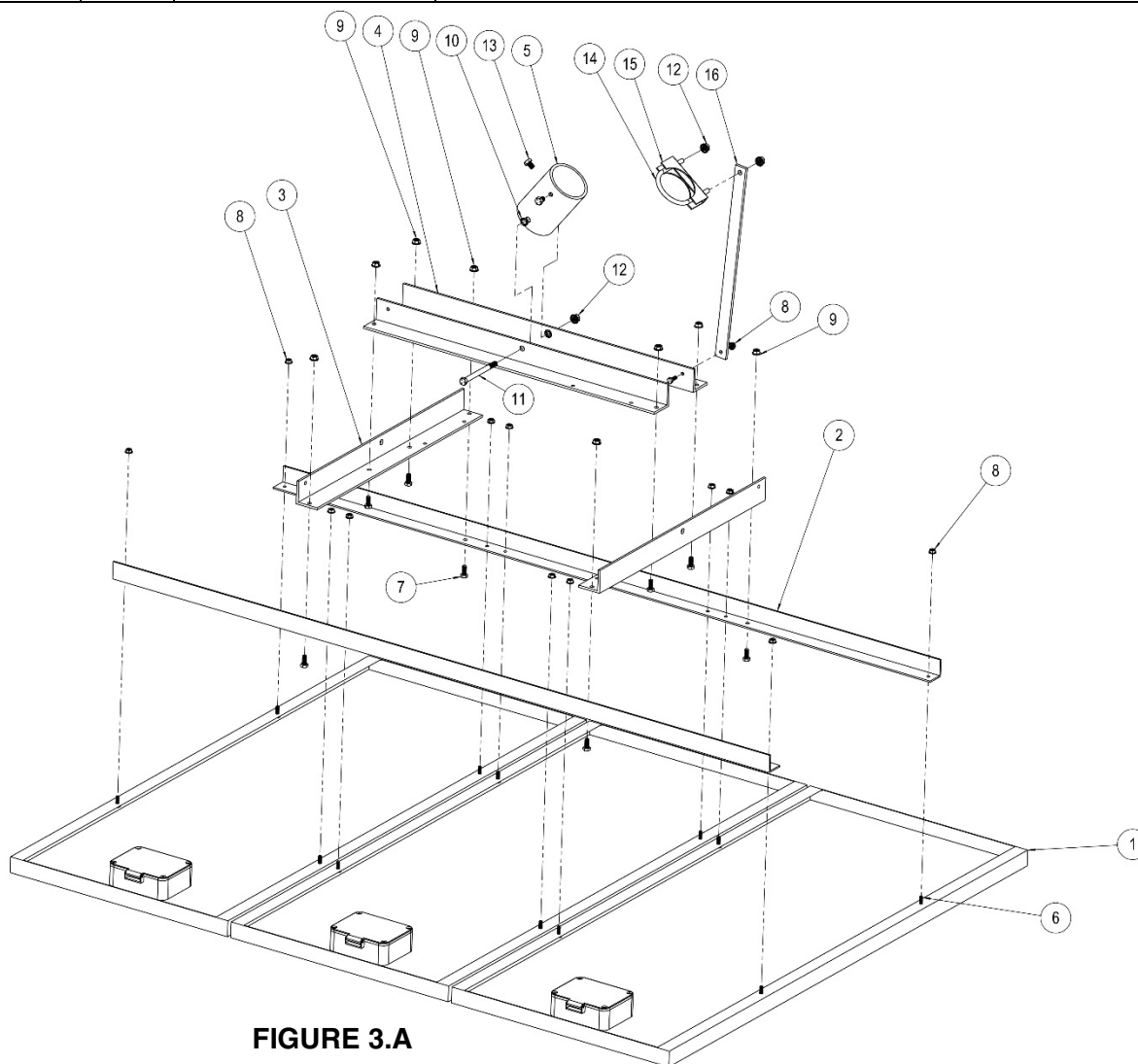


FIGURE 3.A

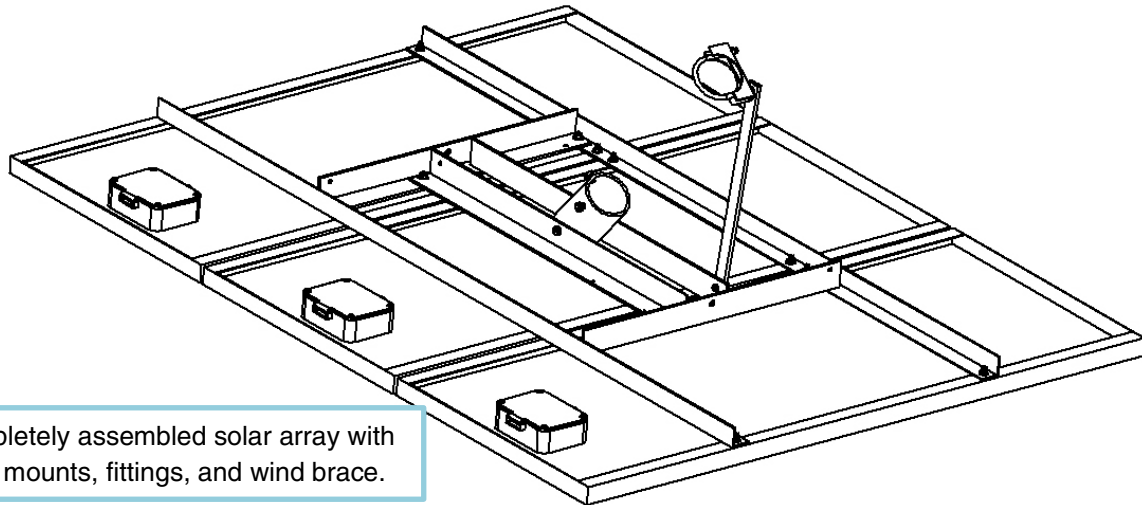


FIGURE 4.A

TROUBLE SHOOTING

If you experience issues while installing your product or trouble shooting, please contact our technicians so we can assist you.

- Check the solar module for any damages.
- Check for Shadows, there should be no shadows falling across the face of the module at any time during the day whether permanent or temporary.
- Check the direction on how the solar module faces, it should be pointed at the Sun during mid-day or peak sunlight hours.
- Check the wiring and connections. Confirm there is no damage to exterior jacket or internal pins of connections. Open the junction box(es) on the solar module(s) to confirm tight connections.
- If you have a multimeter available, please check voltage and amperage from solar right during the brightness of sunlight- typically midday. Confirm these readings match the data label on the back of the solar module.

Important Steps When Installing:

- No additional controller is required for API solar water pumps, however the ALC 1275 water level controller greatly increases the life expectancy of our solar pumps and prevents unnecessary wear and tear on the pump.
- Please be sure your well has been tested for flow rate and continuous flow supply. In order to reach these water demands, your well must be able to keep up with the solar pump. Otherwise, damages can occur.
- Please check for the correct tilt angle for the geographical location where the system will be installed. Reference on how to calculate azimuth angle for solar panels <https://www.esrl.noaa.gov/gmd/grad/solcalc/>
- If needed adjust the solar array 2 to 4 times per year to match the sun. If not, a higher degree of angle will help shed large hail stones and decrease likely hood of damage.
- Do you have wind turbines within 1/2 mile of your solar pump system? Find out why your system can become damaged by speaking with one of our system specialists.
- Don't forget to prep your system for the winter!! Drain or weep holes are a must!
- Ground Rods help to preventing damage from lightening spikes; we highly recommend installing a ground rod for your solar systems.
- See Pump Manual for plug connector illustrations. Be certain of plug connector alignment, do not force, damage may occur.

View our [website](#) for video installs, quick tips and more!